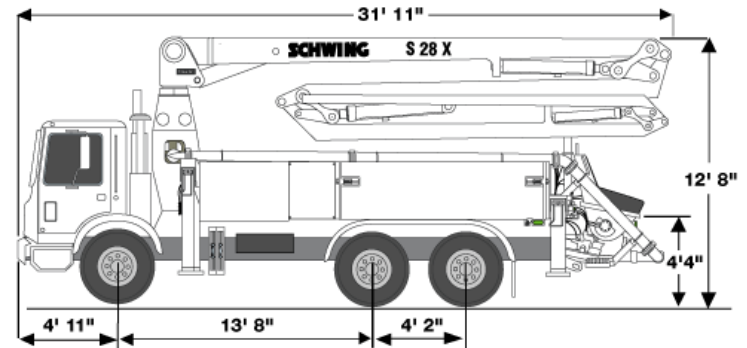
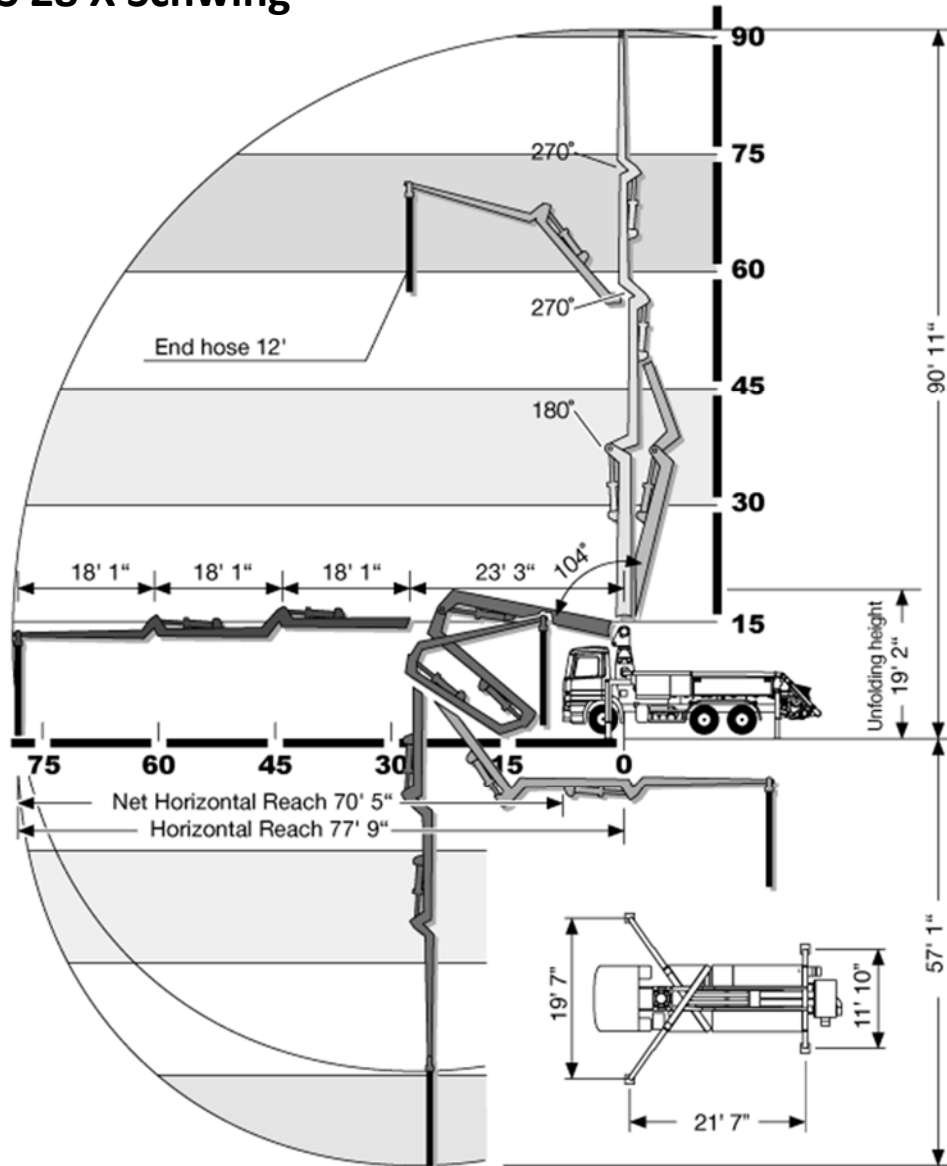


S 28 X Schwing



SPECIFICATIONS

	U.S.	Metric
Vertical Reach	90' 11"	28 m
Horizontal Reach	77' 9"	23.6 m
Below Grade Reach w/ Tip Hose	57' 1"	18 m
Pipeline Diameter	5 in	125 mm
Boom Type/ Sections	Combination Roll & Fold® with Z Boom/ 4	
Boom Rotation	370 degrees	
Unfolding Height	19' 2"	5.8 m



1-877-347-3407